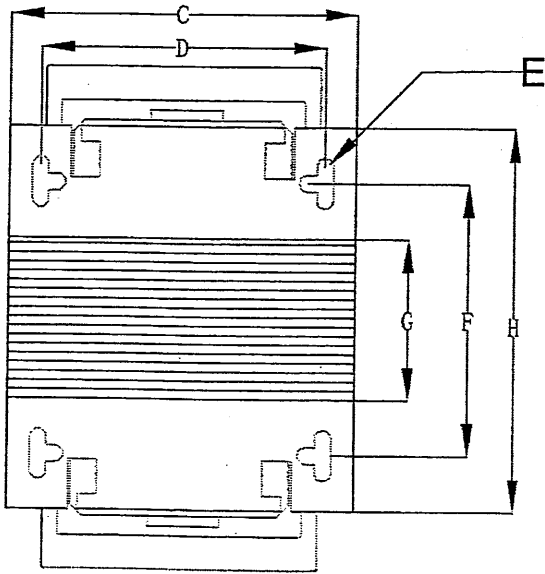


**SPECIFICATIONS**

1. Input:100/120/230/240, 50~60Hz.OUTPUT:12~240V.
2. Hi-Pot test: AC 1.5kv 50Hz for 60 second between Primary to core. OR 3000V.
3. Induced voltage: all secondary windings open, Input primary Double VAC500Hz for 15 seconds,  
Shall withstand without breakdown.
4. Insulation test: DC500V100MΩ min. Between winding and between winding & core.
5. Temperature rise: less than95K for rate load. Measured for saturation.
6. Heat test: After conditioning in an oven of 120±3℃ temperature for 8 hours, the transformer shall be to withstand the Hi-pot test of 3.5 and the Insulation test not less than10MΩ
7. Humidity test: After conditioning in an oven of 40±3℃temperature and 90~95% relative humidity for 6 hours, waiting 30min, the transformer shall be able to withstand the Hi-pot test of 3.5 and the Insulation test not less than5MΩ.
8. other: Insulation glass: IEC-65 E
9. safety requirement conform to ul (in end products)
10. RoHS.
11. Class B.



power	A	B	C	D	F	E	H	G
50W	75MAX	110MAX	80MAX	64±2	51±5	5*12*9	80MAX	26
75W	75MAX	125MAX	80MAX	64±2	65±5	5*12*9	95MAX	38
100W	80MAX	120MAX	90MAX	71±2	61±5	5*12*9	90MAX	32
150W	85MAX	130MAX	100MAX	73±2	71±5	5*12*9	100MAX	45
250W	105MAX	130MAX	120MAX	98±2	73±5	5*12*9	95MAX	40
350W	105MAX	150MAX	120MAX	98±2	95±5	5*12*9	120MAX	63
500W	120MAX	150MAX	140MAX	111±2	107±5	5*12*9	120MAX	63
750W	120MAX	170MAX	140MAX	111±2	134±5	5*12*9	150MAX	90
1.0KW	120MAX	190MAX	140MAX	111±2	145±5	5*12*9	160MAX	100
1.5KW	170MAX	145MAX	200MAX	137±2	119±5	5.5*19*19	170MAX	55
2.0KW	170MAX	170MAX	200MAX	137±2	143±5	5.5*19*19	195MAX	80
3.0KW	170MAX	190MAX	200MAX	137±2	163±5	5.5*19*19	215MAX	100

材質	H	処理	黒塗装		品名	電源トランス
尺度	Free	確認	検印	設計		
単位	m/m	T.M		増田	図番	

120~1000以下	±0.2	±0.5
30~120以下	±0.15	±0.3
6~30以下	±0.1	±0.2
0以下	±0.05	±0.1